



## KNIFE-GATE VALVES

## A SERIES

### HANDWHEEL with Non-Rising Stem

- Suitable when no size limitations exist.
- **B = Max. width** of the valve (without actuator)  
**D = Max. height** of the valve (without actuator)
- Options:
  - Square nut
  - Locking devices
  - Extensions: stand, pipe, plates...
  - DN higher than those give in the table
- Actuator including:
  - Handwheel
  - Stem
  - Guide bearings on the yoke.
  - Nut
- Available: ND50 to ND2000, other ND on request.
- From DN600 the actuator is with gears.

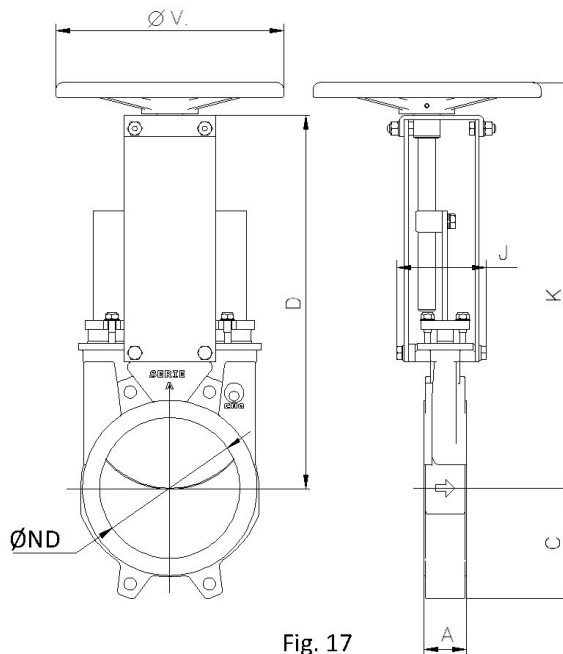


Fig. 17

ND	$\Delta P$ (Kg/cm <sup>2</sup> )	DRAW (Nw)	TORQUE (Nm)	A	C	D	J	K	$\phi V$	Weight (kg.)
50	10	815	1.86	40	61	241	101	280	225	7
65	10	1375	3.14	40	68	268	101	308	225	8
80	10	2083	4.76	50	91	294	101	333	225	9
100	10	3252	7.43	50	104	334	101	373	225	11
125	10	5080	11.6	50	118	367	111	407	225	13
150	10	5134	11.7	60	130	419	111	458	225	17
200	8	9138	26.1	60	159	525	128	578	325	29
250	6	10227	29.2	70	196	626	128	679	325	40
300	6	14748	42.1	70	230	726	128	779	380	53
350	5	16064	62.3	96	254	797	305	906	450	93
400	5	21042	81.6	100	287	903	305	1012	450	126
450	3	20043	77.7	106	304	989	305	1098	450	160
500	3	24883	96.5	110	340	1101	305	1210	450	193
600	3	36081	139.9	110	398	1307	305	1416	450	264
700	2	39945	180.1	110	453	1506	335	--	--	435
800	2	43493	237.8	110	503	1720	335	--	--	580
900	2	55024	300.9	110	583	1953	335	--	--	740
1000	2	68580	374.9	110	613	2137	335	--	--	925
1200	2	99025	642.5	150	728	2616	355	--	--	1350

Table 5